



The Kenya Power & Lighting
Co. Ltd.

TITLE:

SPECIFICATION FOR PVC
CHANNEL

Doc. No. KPLC1/3CB/TSP/06/032

Issue No. 1

Revision
No. 0

Date of
Issue 2007-11-08

Page 1 of 6

TABLE OF CONTENTS

0.1 Circulation List

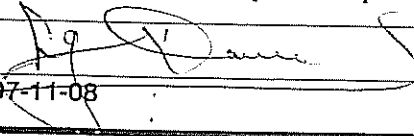
0.2 Amendment Record

FOREWORD

1. SCOPE
2. REFERENCES
3. TERMS AND DEFINITIONS
4. REQUIREMENTS
5. TESTS AND INSPECTION
6. MARKING

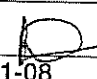
ANNEX A – Technical Particulars

Issued by: Research and Development Department

Signed: 

Date: 2007-11-08

Authorized by: Chief Manager, PR&PM

Signed: 

Date: 2007-11-08



The Kenya Power & Lighting
Co. Ltd.

TITLE:

SPECIFICATION FOR PVC
CHANNEL

Doc. No. KPLC1/3CB/TSP/06/032

Issue No. 1

Revision
No. 0

Date of
Issue 2007-11-08

Page 2 of 6

0.1 Circulation List

COPY NO.	COPY HOLDER
1	Supplies Manager
2	Stores & Stock Control Manager
3	Distribution Manager
4	Research & Development Manager
5	Assistant Manager, Technical Audit

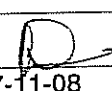
0.2 Amendment Record

Rev No.	Date (YYYY-MM-DD)	Description of Change	Prepared by (Name & Signature)	Approved by (Name & Signature)

Issued by: Research and Development Department

Authorized by: Chief Manager, PR&PM

Signed: 

Signed: 

Date: 2007-11-08

Date: 2007-11-08



The Kenya Power & Lighting
Co. Ltd.

TITLE:

**SPECIFICATION FOR PVC
CHANNEL**

Doc. No. KPLC1/3CB/TSP/06/032

Issue No. 1

Revision
No. 0

Date of
Issue 2007-11-08

Page 3 of 6

FOREWORD

This specification has been prepared by the Research and Development Department of The Kenya Power and Lighting Company Limited (KPLC) and it lays down requirements for PVC Channel (Earth Slat). It is intended for use by KPLC in purchasing the items.

It shall be the responsibility of the manufacturer to ensure adequacy of the design and good engineering practice in the manufacture of the PVC Channel for KPLC. The manufacturer shall submit information which confirms satisfactory service experience with products which fall within the scope of this specification.

1. SCOPE

This specification is for PVC Channel size 1800 x 12.7mm (6 ft x ½ in) for use to cover and protect the section of a cable/earth conductor along the pole on power lines.

2. REFERENCES

N/A

3. TERMS AND DEFINITIONS

N/A

4. REQUIREMENTS

4.1 SERVICE CONDITIONS

The PVC Channel shall be suitable for continuous use outdoors in tropical areas in humidity of up to 90%, average ambient temperature of +30°C with a minimum of -1°C and a maximum of +40°C and saline conditions along the coast.

4.2 DESIGN AND CONSTRUCTION

4.2.1. The PVC Channel shall be used outdoors to cover and protect the section of copper earth conductor along the pole on power lines. It shall be black in colour.

4.2.2. The PVC Channel shall be made of Poly-Vinyl-Chloride (PVC) material suitable for service conditions specified in 4.1 above. The minimum thickness at any point shall be 2mm.

Issued by: Research and Development Department

Authorized by: Chief Manager, PR&PM

Signed:

Signed:

Date: 2007-11-08

Date: 2007-11-08



The Kenya Power & Lighting
Co. Ltd.

TITLE:

**SPECIFICATION FOR PVC
CHANNEL**

Doc. No. KPLC1/3CB/TSP/06/032

Issue No. 1

Revision
No. 0

Date of
Issue 2007-11-08

Page 4 of 6

4.2.3. The PVC Channel shall have holes spaced at 300mm centres on either side for fixing on the pole by use of clout nails (1"). The cross-section and general appearance shall be in accordance with figures 1 and 2 below.

4.2.4. The PVC Channel shall be 1800 x 12.7mm (6 ft x ½ in) suitable for conductor of 12.3mm overall diameter.

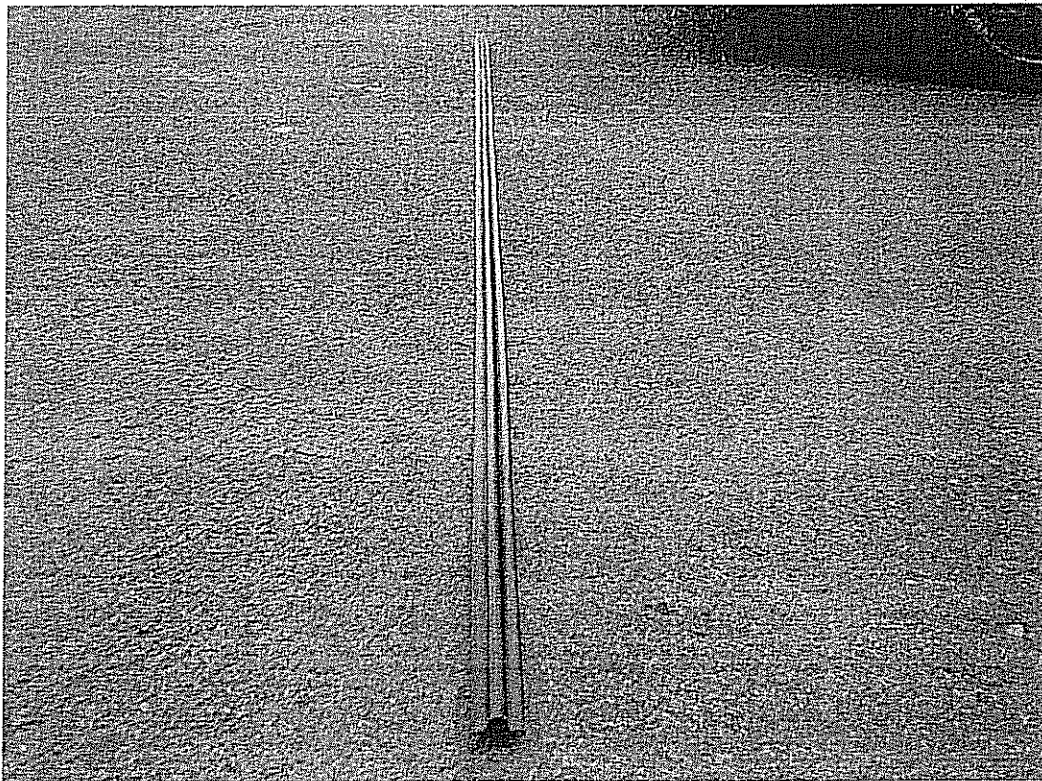


Fig 1: PVC Channel (Earth Slat)

Issued by: Research and Development Department

Signed:

Date: 2007-11-08

Authorized by: Chief Manager, PR&PM

Signed:

Date: 2007-11-08



The Kenya Power & Lighting
Co. Ltd.

TITLE:
**SPECIFICATION FOR PVC
CHANNEL**

Doc. No.	KPLC1/3CB/TSP/06/032
Issue No.	1
Revision No.	0
Date of Issue	2007-11-08
Page 5 of 6	

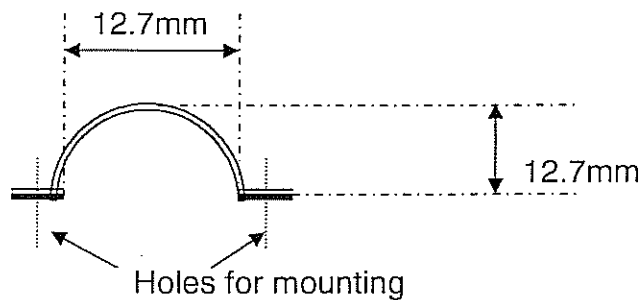


Fig 2: Earth Slat Cross-Section – minimum material thickness: 2mm, length 1800mm

5 TESTS AND INSPECTION

- 5.1 Certified true copies of previous test reports by the relevant National Testing/Standards Authority of the country of manufacture (or ISO/IEC 17025 accredited laboratory) shall be submitted with the offer for evaluation (all in English Language).
- 5.2 Routine and sample test reports for the PVC Channel to be supplied shall be submitted to KPLC for approval before delivery of the goods.

6 MARKING AND LABELLING

Issued by: Research and Development Department	Authorized by: Chief Manager, PR&PM
Signed:	Signed:
Date: 2007-11-08	Date: 2007-11-08



The Kenya Power & Lighting
Co. Ltd.

TITLE:

SPECIFICATION FOR PVC
CHANNEL

Doc. No.	KPLC1/3CB/TSP/06/032
Issue No.	1
Revision No.	0
Date of Issue	2007-11-08
Page 6 of 6	

The following information shall be marked indelibly and legibly on the PVC Channel.

- i) Manufacturer's Name or Trademark;
- ii) Dimensions;

ANNEX A: Technical Particulars (to be filled and signed by the Manufacturer for all clauses and submitted together with catalogues, brochures, drawings, technical data and test reports for tender evaluation)

Clause Number	Bidder's offer	Reference page on Manufacturer's catalogue, drawing, technical data or tests report to support the offer.

NB: - This schedule does not in any way substitute for detailed information required elsewhere in the specification.

.....
Manufacturer's Name, Signature, Stamp and Date

Issued by: Research and Development Department

Authorized by: Chief Manager, PR&PM

Signed:

Signed:

Date: 2007-11-08

Date: 2007-11-08